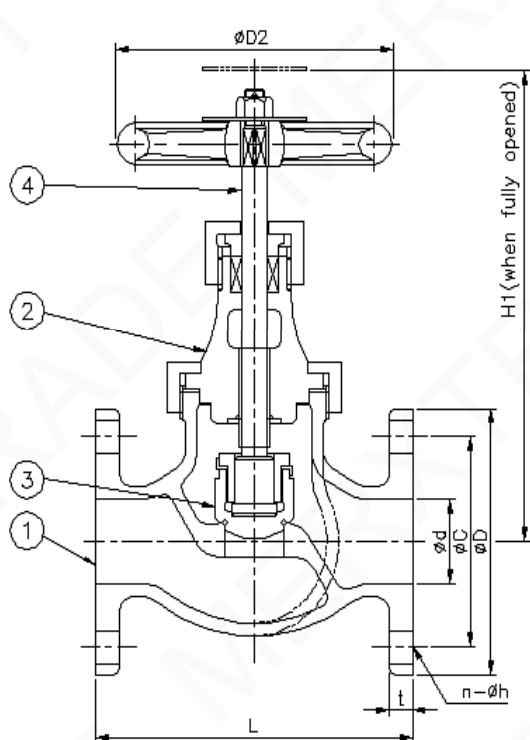


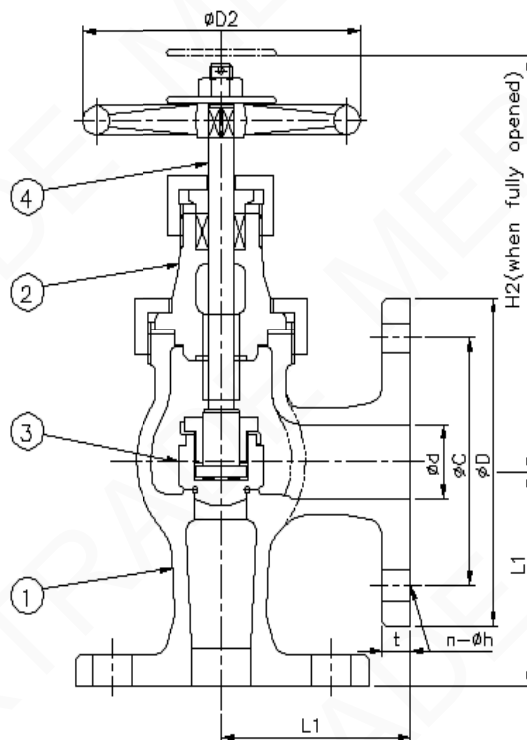
SERIES F 7348 - JIS 16K SERIES F 7349 - JIS 16K
Bronze Globe Valve , Angle Valve - Union Bonnet

Manufactured in accordance to JIS F 7400

Flanges as per JIS B 2240 - 16K



SERIES F 7348 Globe Valve



SERIES F 7349 Angle Valve

Part No.	Material
1 - Body	Bronze
2 - Bonnet	Bronze
3 - Disc	Bronze
4 - Stem	Brass

Test Pressure MPa[Kgf/cm2]	
Body	3.3 [33.0]
Seat	2.42 [24.2]

SIZE	d	L	L1	D	C	n-h	t	H1	H2	D2	F7346 (Kg)	F7347 (Kg)
015	15	110	70	95	70	4-15	12	155	145	80	2.96	2.94
020	20	120	75	100	75	4-15	14	165	155	100	3.92	3.88
025	25	130	85	125	90	4-19	14	185	175	125	5.65	5.53
032	32	160	95	135	100	4-19	16	195	175	125	7.24	6.98
040	40	180	100	140	105	4-19	16	210	190	140	9.12	8.57